



Snake Creek Lasers

SCL-CW-532-5.6MM-Module 50L



Diffraction Limited 532 nm Line Output
Class II CDRH classification without compromising performance
Output Powers from 10 to 30 mW
Projected Line angles 30 and 50 degrees
9 X more visible than an equivalent 650 nm laser line during daylight
>20 X more visible than a comparable 650 nm red laser line at night
Demonstrated performance over a wide temperature range: -30 to +50°C
Rugged design proven under harsh shock and vibration conditions
Laser Head dimensions: see attached drawing
Input Power requirements 18-65 VDC; 2A

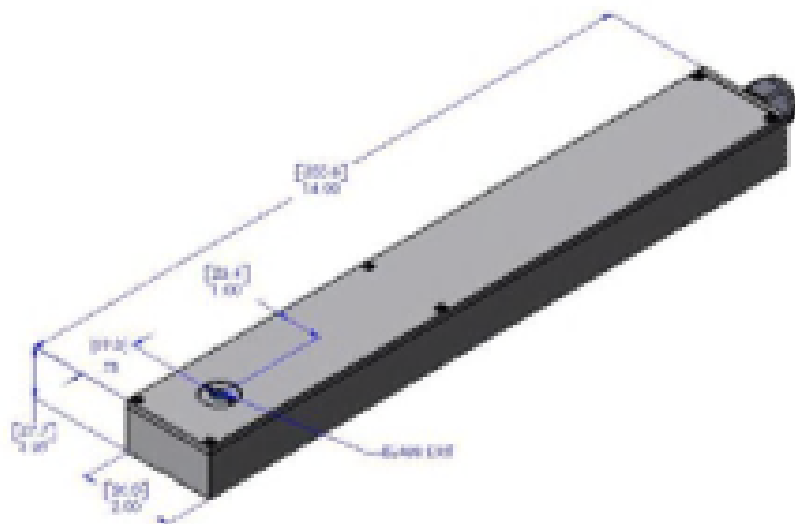


Figure 1: Joe Singley checking the final alignment of the green laser.



Figure 2: Joe receives the green “halo” alignment award.

Contact:
Sales
Snake Creek Lasers
One Technology Drive
Hallstead, PA 18822
570-879-4992
www.snakecreeklasers.com